

上海立诺防腐阀门制造有限公司

H44FS衬里旋启式止回阀



设计与制造: GB12236
 结构长度: GB12221
 法兰连接尺寸: GB4216

Design and manufacture: GB12236
 Face to face dimension: GB12221
 Connection dimension of flange: GB4216

用途:

本阀专用于控制强腐蚀性介质, 阀体内腔表面覆有可供选择的各种氟塑料, 具有强度高、耐腐蚀性能好的特点; 适用于不同工作温度和流体管路, 防止各类管路或设备上的介质逆流的单向启闭。

适用温度: $\leq 85^{\circ}\text{C}$ 、 $\leq 100^{\circ}\text{C}$ 、 $\leq 120^{\circ}\text{C}$ 、 $\leq 150^{\circ}\text{C}$ (按照衬里材料)

Purpose:

It's special for controlling the strong corrosive media. Its body inner surface is lined with different fluorine plastics. It features a high strength and a prominent performance of corrosion resistance. It can be selected to suit with different working temperatures and fluid pipelines and be suitable for the one way open and close to prevent the reflux of the medium in the pipelines or facilities.

Suitable temperature: $\leq 85^{\circ}\text{C}$ 、 $\leq 100^{\circ}\text{C}$ 、 $\leq 120^{\circ}\text{C}$ 、 $\leq 150^{\circ}\text{C}$ (According to the lining material)

压力等级: PN(MPa) Pressure rating: PN (MPa)

0.6 1.0 1.6 0.6 1.0 1.6

测试:

衬里层: 电火花检测

试验与检验按GB/T13927标准

公称压力: PN(MPa)

阀体: $\text{PN} \times 1.5$

密封: $\text{PN} \times 1.1$

Tests:

Lining layer: Electrosark detecting

Test to GB/T13927

Nominal pressure: PN(MPa)

Body: $\text{PN} \times 1.5$

Seal: $\text{PN} \times 1.1$

材料:

上阀体: 铸铁、球墨铸铁、碳钢

下阀体: 铸铁、球墨铸铁、碳钢

衬里: 氟塑料

阀瓣: 碳钢包覆氟塑料

Materials:

Upper body Cast iron, spheroidal graphite cast iron, carbon steel

Lower body Cast iron, spheroidal graphite cast iron, carbon steel

Lining Fluorine plastic

Disc Carbon steel fully covered with fluorine plastic

上海立诺防腐阀门制造有限公司

H44FS衬里旋启式止回阀

设计与制造: GB12236
 结构长度: GB12221
 法兰连接尺寸: GB4216

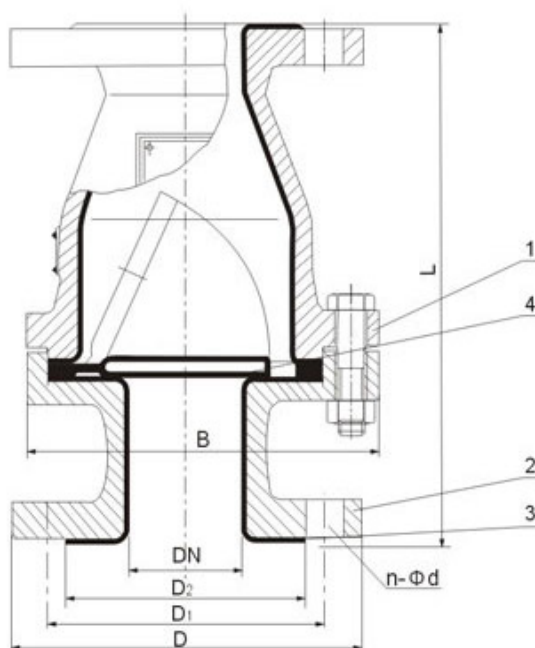
Design and manufacture: GB12236
 Face to face dimension: GB12221
 Connection dimension of flange: GB4216

部件列表:

1. 上阀体
2. 下阀体
3. 阀体衬里
4. 阀瓣

Component list :

1. Upper body
2. Lower body
3. Body lining
4. Disc



公称口径 Nominal size DN	公称压力 Nominal pressure MPa	工作压力 Working pressure MPa	L mm	D mm	D ₁ mm	D ₂ mm	n-Φd mm	B mm	质量 Weight kg/kilos		
20	1.0	1.0	160	105	75	59	4-14	128			
25			160	115	85	68	4-14	128			
32			180	140	100	78	4-18	150	4.5		
40			200	150	110	88	4-18	160	7		
50			230	165	125	102	4-18	178	8		
65			290	185	145	122	4-18	205	10		
80			310	200	160	133	8-18	230	18		
100			350	220	180	158	8-18	255	24		
125			400	250	210	184	8-18	305	30.5		
150			480	285	240	212	8-22	345	47.5		
200	0.6	0.6	500	340	295	268	8-22	415	63.5		
250			550	395	350	320	12-22	495	96.5		
300			620	445	400	370	12-22	540	144		
350			0.4	0.4	698	505	460	430	16-22	620	224
400					787	565	515	482	16-22	680	