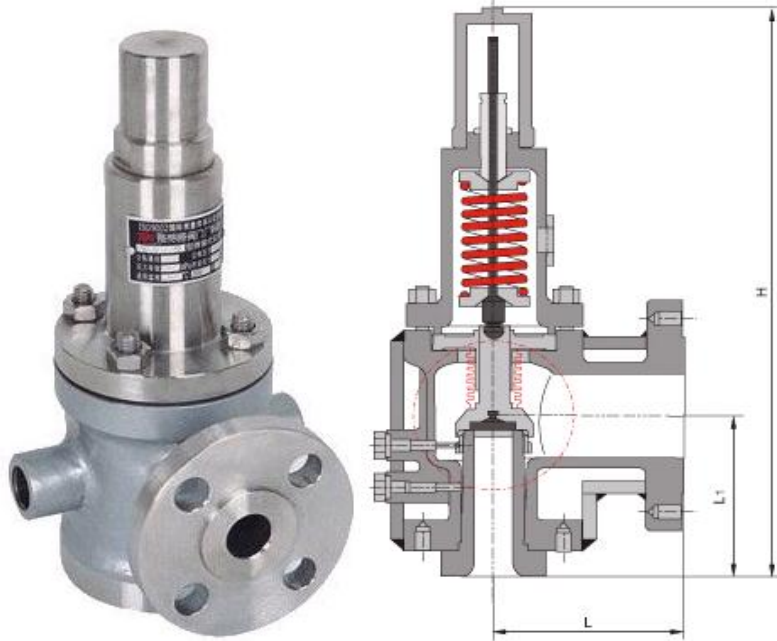


上海立诺防腐阀门制造有限公司

BWA42Y保温夹套安全阀

### ■ 产品概述



### ■ BWA42Y 保温夹套安全阀

Description:

- 1、适用于聚酯、乙烯、沥青、炼重油、尿素化肥等装置中，介质需保温的场合，起安全泄压作用。
- 2、对进口法兰及阀体都进行保温，保温效果好。
- 3、波纹管平衡结构，消除背压对安全阀开启压力的影响，并使弹簧等零件不易受到介质的侵蚀。
- 4、用材严格按用启介质、温度等情况选用。

1. Serviced for equipment of Polyester, Ethylene, refining asphalt oil and Urea which need heat preservation and safety in pressure relief.
2. Heat preservation is for inlet and outlet flange and body and the effect is very well.
3. Balanced Bellows construction dispels influence of back pressure, prevent Spring and Parts from eroding.
4. Materials are strictly chosen as medium and temperature supplied by consumers.

## 技术参数和性能

### ■ 尺寸规格 Dimension & Specification

进口×出口	结构尺寸		
	L	L1	H
3/4 "×1 1/2 "	130	124	420
1"×2(2 1/2 ")	134	125	440
1 1/2 " ×2 1/2 "(3)"	150	140	560
2"×3"	155	150	590
3"×4"	185	170	740
4"×6"	225	200	890
6"×8"	256	240	1180
6"×10"	282	269	1130
8"×10"	310	280	1280